

INSTALLATION INSTRUCTION

(AO-90360)

CLEVELAND-KIDDER[®] INTRINSICALLY SAFE BARRIER BLOCK KIT FOR USE ON CLASSIC TRANSDUCERS

KITS: MO-13904-1 & MO-13904-2



REVISION

AA

Industrial Products Division

REVISION HISTORY

Rev	ECO	Author	Date	Description of Change
AA	XXX	RDL	10/19/2005	As Released

TABLE OF CONTENTS

1	IMPORTANT INFORMATION	5
1.1	ORDER NUMBERS	5
1.2	CONTACT INFORMATION AND SERVICE ASSISTANCE	5
1.3	RECEIVING AND UNPACKING	5
1.4	EXCITATION VOLTAGE	5
2	INSTALLATION.....	6
2.1	BEFORE INSTALLING THE BARRIER BLOCKS	6
2.1.1	Installation Precautions	6
2.1.2	Safety Considerations	6
2.2	MOUNTING THE BARRIER BLOCKS	7
2.3	ELECTRICAL CONNECTIONS AND WIRING	7
2.4	CALIBRATION	9

WARRANTY

Cleveland Motion Controls warrants the goods against defects in design, materials and workmanship for the period of 12 months from the date of delivery on the terms detailed in the Cleveland Motion Controls, Inc. Terms and Conditions of Sale, document number AO-90131

Cleveland Motion Controls, Inc. reserves the right to change the content and product specification without notice.

© 2005 in this document is reserved to:
Cleveland Motion Controls, Inc.
7550 Hub Parkway
Cleveland, OH 44125
216-524-8800 Phone
216-642-2199 Fax

INTENDED USERS

This Instruction Manual is to be made available to all persons who are required to configure, install or service the equipment described in this manual or any other related activity.

ADDITIONAL INFORMATION

ATTENTION: The following information is provided merely as a guide for proper installation. Cleveland Motion Controls cannot assume responsibility for the compliance (or failure to comply) to any code (national, local or other) that prescribes the proper installation of this electro-mechanical device or associated equipment. A hazard of personal injury and/or property damage can exist if applicable codes are not adhered to.

CE EMC RESPONSIBILITY

The Intrinsically Safe Barrier Block may be used by a manufacturer as a component of a larger system, along with other components, which may or may not bear the CE mark. The system assembler is responsible for the compliance of the system as a whole with the EMC Directive.

Before installing the Intrinsically Safe Barrier Block you must clearly understand who is legally responsible for conformance with the EMC Directive. Misappropriation of the CE mark is a criminal offense.



INTRINSICALLY SAFE APPLICATION RESPONSIBILITY

The Cleveland-Kidder Classic Series Transducer may be used by a manufacturer as a component of a larger system, along with other components, which may or may not be rated for Intrinsically Safe Applications. The system assembler is responsible for the compliance of the system as a whole to any applicable Intrinsically Safe specifications required.

The use of an approved Intrinsically Safe Barrier block with the Classic Series Transducers falls under the “Modular Approach” or “Entity Concept” with the Classic Transducers being classified as a “Simple Device” or “Simple apparatus” and the barrier block as the “Intrinsically Safe” or “associated apparatus”.

1 IMPORTANT INFORMATION

1.1 ORDER NUMBERS

There are two kits available depending on whether there is one transducer like the CLT type or two transducers in the system.

The MO-13904-1 Barrier Block kit is for one transducer systems.

The MO-13904-2 Barrier Block kit is for two transducers systems.

1.2 CONTACT INFORMATION AND SERVICE ASSISTANCE

For service assistance, have the following information available:

- Type of Transducer you are using
- Barrier Block Part number
- Purchase order number

You can contact Cleveland Motion Controls at:

Phone: 216.524.8800

Fax: 216.642.5155

For the latest product information, technical literature etc., visit our website at www.cmcccontrols.com



Disassembly by improperly trained personnel may result in additional damage to these units. Should repairs be required or for warranty repairs, contact the Customer Service Department for a return authorization number before returning the units.

1.3 RECEIVING AND UNPACKING

After receiving the Barrier Block Kit you should:

- Carefully, unpack and inspect the equipment
- Compare the received shipment with the packing list
- Report any damage to the carrier and your CMC representative
- Store equipment that will not be used in a clean, dry location
- Take appropriate precautions to prevent moisture, dust and dirt from accumulating in storage and installation areas

1.4 EXCITATION VOLTAGE



*Maximum Excitation Voltage for the Classic Series transducers when used with these Barrier Blocks must be limited to 5.6 VDC or 5.6 VRMS. **Do not use** 10 Volt excitation or possible damage to the semiconductor strain gage elements can occur. Before applying power to the amplifier, verify that the amplifier excitation voltage has been set to 5.0 VDC.*

2 INSTALLATION

2.1 BEFORE INSTALLING THE BARRIER BLOCKS

Before installing the Barrier Blocks, perform the following steps:

1. Review the Installation manual for the amplifier or control system being used.
2. Review the Installation manual for the Cleveland-Kidder Transducers being used
3. Review the Installation manual part number INM7700 for the MTL 7700 Series Barrier Blocks.

2.1.1 INSTALLATION PRECAUTIONS

To ensure proper installation of the barrier blocks in an intrinsically safe application, all wiring instructions, safety considerations and warnings must be followed in the MTL INM7700 Instruction Manual.



Failure to follow the MTL INM7700 Instruction Manual can result in a system that does not meet the intrinsically safe specifications and could result in loss of life and property. Cleveland Motions Controls cannot be held responsible for improper installation of the Barrier Blocks.

2.1.2 SAFETY CONSIDERATIONS



Safety practices should not be an afterthought. Before installing, servicing or calibrating review and follow applicable policies and procedures to ensure worker safety. Machinery must be in a safe state and be aware of any additional hazards that can arise when installing and calibrating Intrinsically Safe Systems.

2.2 MOUNTING THE BARRIER BLOCKS

The barrier blocks are attached to a Din Rail which is isolated from the main mounting surface by isolation blocks. The isolation blocks are required per section 5.3 in the MTL INM7700 instruction manual.

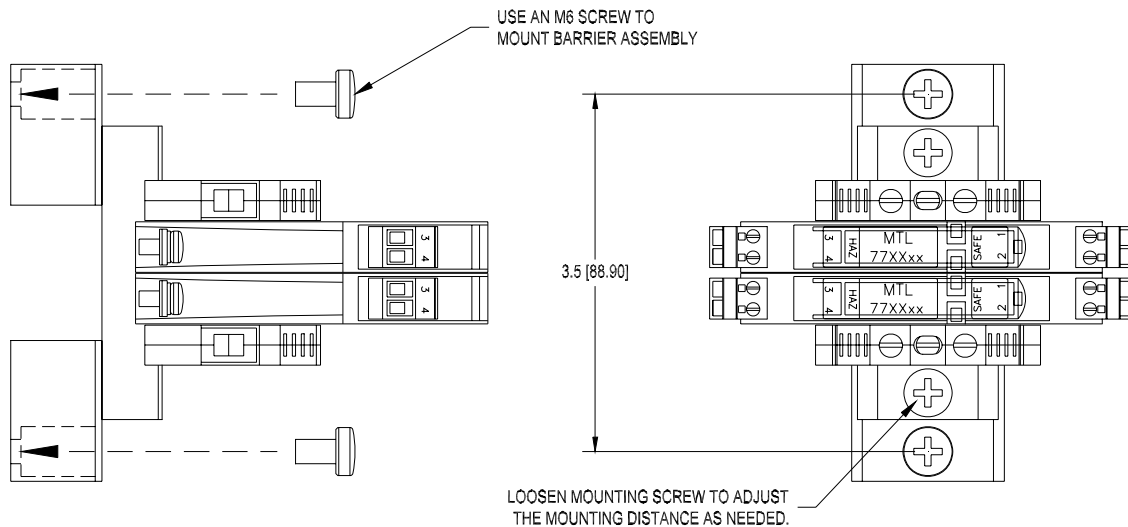


Figure 1 –Mounting Diagram

2.3 ELECTRICAL CONNECTIONS AND WIRING

The intrinsically safe barrier blocks are connected to the Cleveland-Kidder Classic Series Tension Transducers and control equipment or an Classic Din Rail Amplifier as shown in figure 2a for single transducers such as the CLT style and figure 2b for dual transducers. There are additional wiring requirements for the IS barrier blocks such as the Isolated Earth Ground that are described in more detail in the MTL INM7700 Instruction Manual that need to be connected properly to ensure Intrinsically Safe compliance.

Also make certain that:

- The cables do not interfere with the web path, and that they are away from gearing or other moving parts.
- You exercise care when routing the cables to avoid pick-up from noise-radiating power cabling (motor armature leads, AC main wiring, etc).
- In environments with severe electromagnetic noise, it may be necessary to route the cables inside metallic conduit.

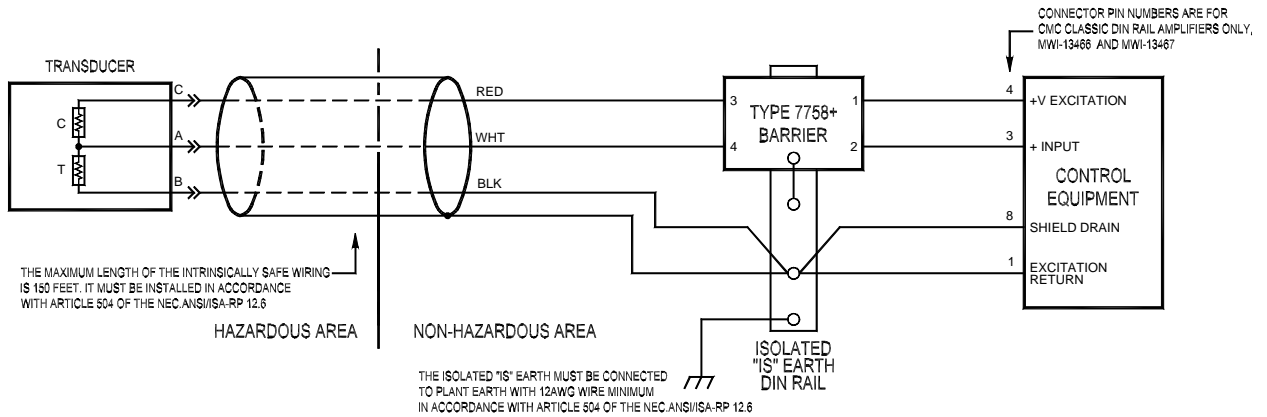


Figure 2a – Single Transducer Wiring Diagram

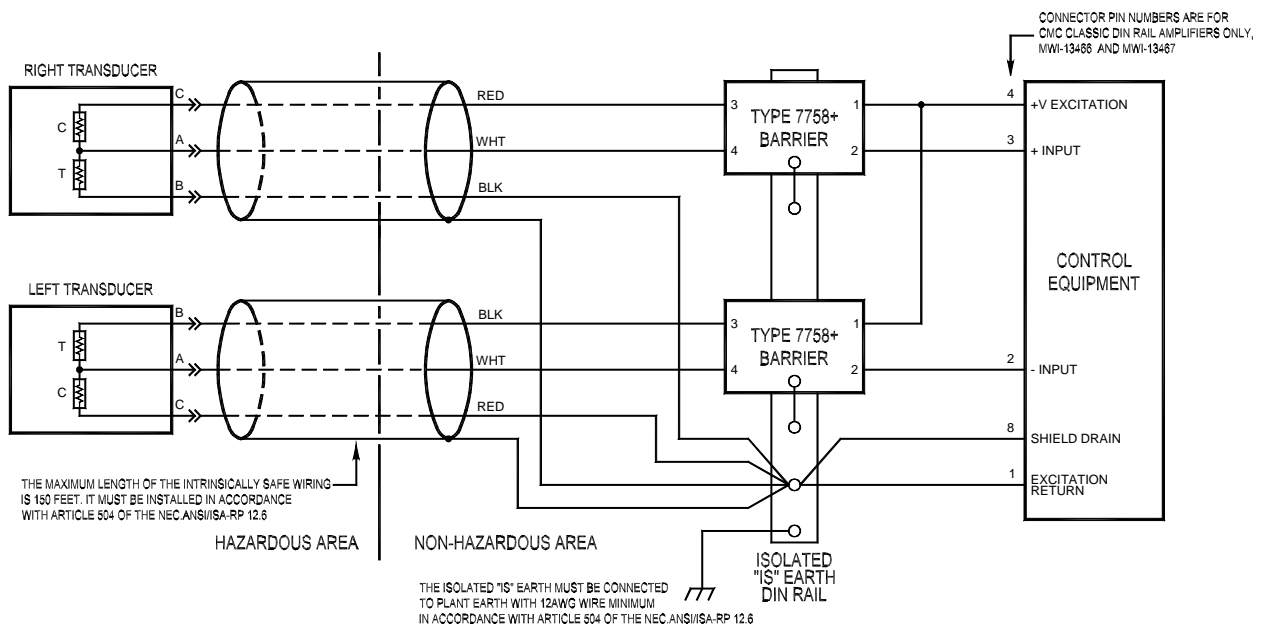


Figure 2b – Two Transducer Wiring Diagram

Figure 2c shows a typical wiring installation for the Intrinsically Safe Barrier Blocks.

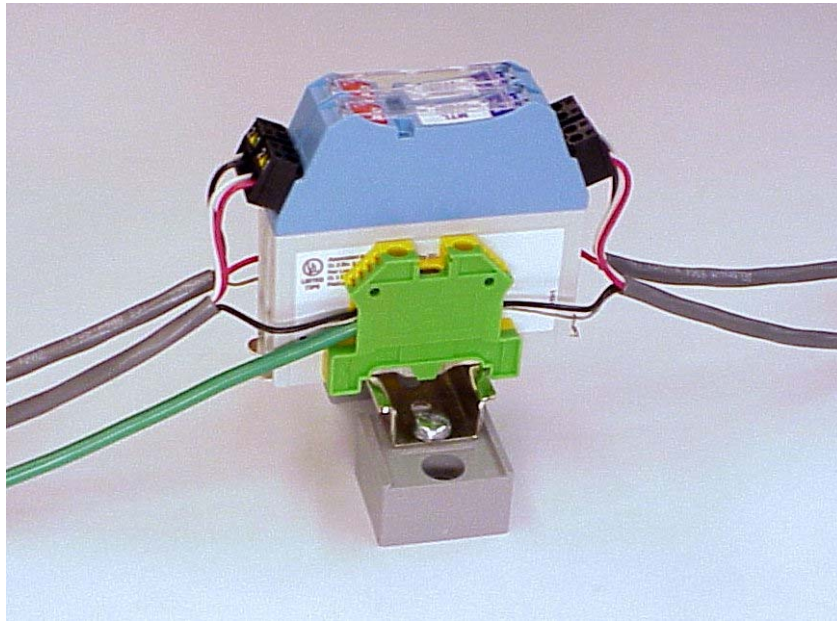


Figure 2c. – Example of a Two Transducer Wiring Installation

2.4 CALIBRATION

For the proper calibration procedure, refer to the Instruction Manual that accompanied your amplifier or tension controller.

Trademark Information

Cleveland - Kidder is a registered trademark of Cleveland Motion Controls.
